

WPF PUZZLE GP 2019 SOLUTION BOOKLET

1. Fuzuli [Piotr Gdowski] (27 points)

{A,B,C,D,E}

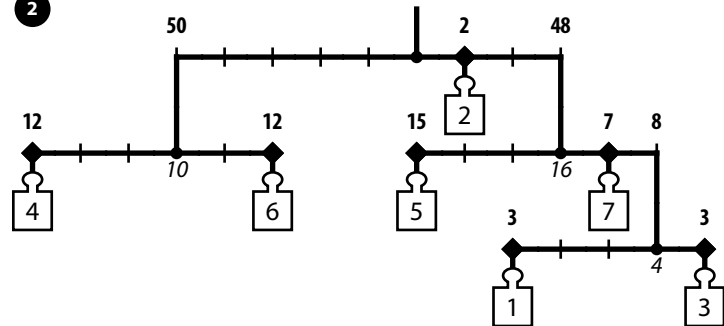
		D	A	B		C	E
E	B	C		A	D		
	E		D		A	B	C
A	C	E			B		D
B			C	D	E		A
C	D		E			A	B
	A	B		E	C	D	
D		A	B	C		E	

1a →

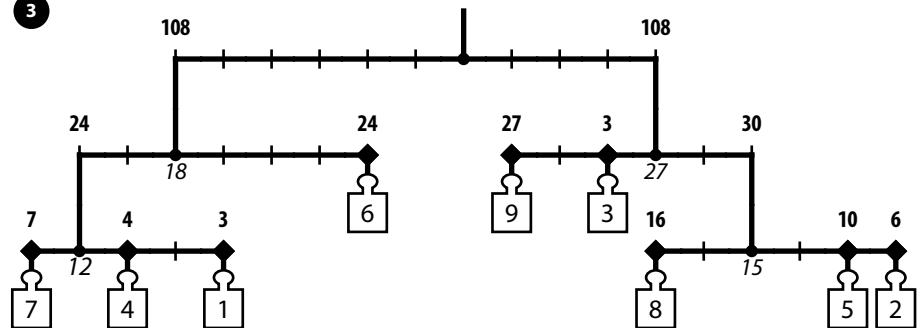
1b →

2-3. Balance [Jan Mrozowski] (6, 31 points)

2



3



4-5. Magnets [Jan Mrozowski] (7, 36 points)

+		2	1	2	1
-	3		3	2	1
2	1	+		-	+
2	3	-	+	-	+
		+	-		+
		-	+	-	
2	2		+	-	+
2	2	-	+		+

4 →

(X P X P P X)

+		4	3	3	3	5	2	1	4	4
-	3	4	2	5	3	3	2	3	3	4
3	4	-	+		-		+	-	+	-
4	3	+	-		+	-	+		-	+
2	5	-			-	+	-		-	+
5	2	+			+	-	+		+	-
4	5		-	+	-	+	-	+	-	+
4	4		+	-	+	-	+	-		+
3	2	+	-	+	-				+	
2	1	-	+			+				
3	4	+	-	+	-	+	-			-
2	2		-			+	-			+

5 →

(X P P N X P X N N N)



6. Binary Parquet [Łukasz Bożykowski] (39 points)

	3	6	2	1	5	2	2	1
6a	4	1	3	3	1	3	3	4
2	2							
2	6							
2	3							
5	1							
3	1							
1	2							
6b	4	3						
3	2							

7. Doppelblock [Piotr Gdowski] (38 points)

	1	0	0		11	11	20	18	
14	4		5	6	2	1		3	
19	2		4	1	5	3	6		
18		5	6	4	3		2	1	
7a	5	1	2		5		6	3	4
1		1		3	6	5	4	2	
1	3	4	2		1		5	6	
6	6	3	1		4	2		5	
5	5	6	3	2		4	1		

8-9. Star Battle [Jan Mrozowski] (43, 44 points)

8										
4										
2										
5										
1										
8										
4										
2										
5										
1										
6										

10. Scrabble (Letters) [Jan Mrozowski] (43 points)

	M			S	K	Y	S	C	R	A	P	E	R	S					
M	A	S	Y	U		A		O						L	W	F			
	S			G		J		R		H		S	H	I	K	A	K	U	
	T		N	U	R	I	K	A	B	E			T		L	T			
10a	E		R		L		L	Y				H		L	O				
	R		U		I			A	N	G	L	E	R	S		S			
	M	C		N				W				R				H			
	I	O						L	A			L				I			
	N	U	M	B	E	R	L	I	N	K		N	I			K			
10b	D	P						T	E	A	N					I			
				A	R	R	O	W	S			S	N	A	K	E			
				S								R							
	D	I	S	S	E	C	T	I	O	N		F	O	O	T	B	A	L	L

9																		
4																		
1																		
3																		
8																		
2																		
8																		
2																		
4																		
1																		
3																		

12. Hitori [Jan Mrozowski] (52 points)

12																			
6	5	6	X	7	1	X	10	2	8	4									
4	X	9	2	X	8	3	5	X	6	X									
5	4	X	3	2	X	8	X	9	1	6									
6	3	8	4	X	6	X	7	5	X	9									
8	X	3	5	4	7	10	8	X	9	X									
5	6	2	X	8	X	7	X	10	4	1									
4	8	X	10	X	3	6	1	7	X	2									
5	X	5	1	3	X	9	X	4	2	10									
9	2	1	X	9	4	5	6	3	X	7									
6	10	X	8	1	2	X	4	X	5	3									

13. Capsules [Piotr Gdowski] (44 points)

	3	2	4	2	4	1	3	4	1
	4	1	5	1	3	2	5	2	3
13a	2	3	2	4	5	1	4	1	4
	1	4	1	3	2	3	2	3	2
	2	3	2	4	1	4	1	4	1
	1	4	1	3	2	3	2	3	2
	3	5	2	4	1	5	1	4	1
	4	1	3	5	3	4	3	2	3
13b	3	2	4	2	1	2	5	4	1

14. Easy As... (Fuzuli) [Piotr Gdowski] (47 points)

			A	D	B	A			
(A,B,C,D)	B	B	D		C				A
14a	C		C	A	B	D			D
	D	D	A			C	B		B
				D	A		C	B	
14b	C	C	B			A		D	D
	A		B				D	C	C
			C	D	B	A			A
	A	B	C		B				



15. Dark Knightlines [Piotr Gdowski] (56 points)

15a →

×	×	△	○	×	□	○	○
○	×	○	△	□	×	△	×
△	□	△	○	×	□	△	□
□	×	□	△	□	×	○	×
△	□	△	○	×	□	△	□
○	×	○	△	○	△	○	△
×	×	△	○	×	□	×	○
○	□	□	△	□	×	□	×

15b →

18. Slitherlink (Full Evens) [Łukasz Bożykowski] (110 points)

18a →

18b →

16. Pentomino Relations [Jan Mrozowski] (59 points)

16a →

16b →

16b →

17. Paint by Numbers (Black or White) [Łukasz Bożykowski] (66 points)

17a →

17b →

		1							5		
		1	1	1			3		3	1	
		5	5	5	5	5	5	5	1	1	5
3	3										
2	1	1	3								
	3	1	1								
	3	1	3								
	3	3									
	3	3									
	3	3	1								
	3	3									
	3	5									
	3	3									