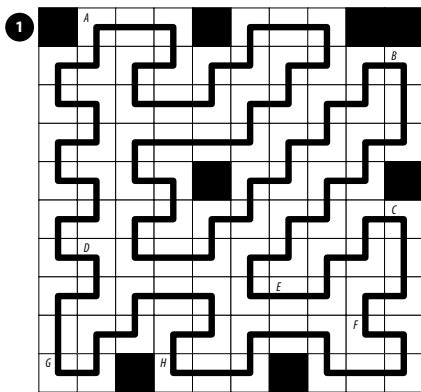
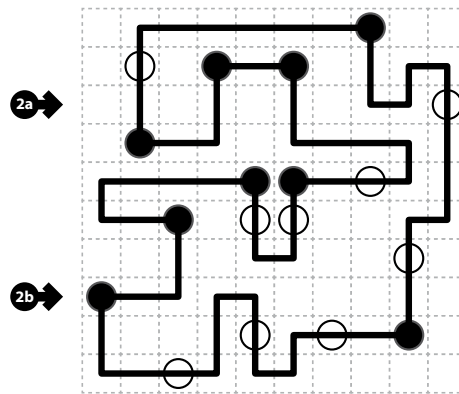


WPF PUZZLE GP 2022 SOLUTION BOOKLET

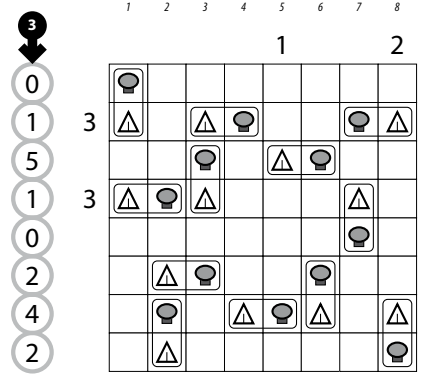
1. Loop (simple) [Sam Cappleman-Lynes] (12 points)



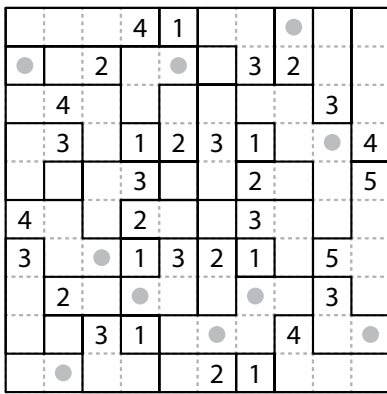
2. Masyu [Tom Collyer] (6 points)



3. Tents [Sam Cappleman-Lynes] (11 points)

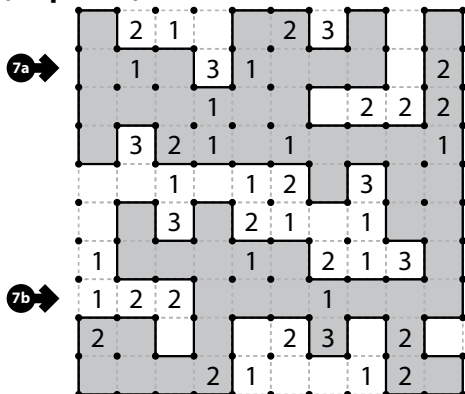


4. Fillomino [Sam Cappleman-Lynes] (37 points)

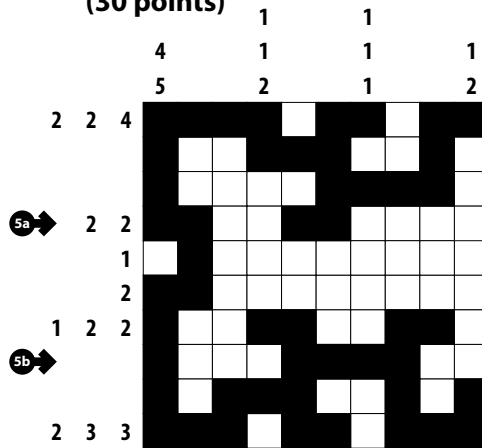


4 → 1 2 4 3 3 5 5 2 6 3

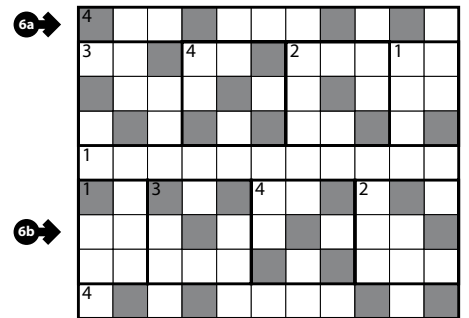
7. Slitherlink [Sam Cappleman-Lynes] (66 points)



5. Coral [Sam Cappleman-Lynes] (30 points)

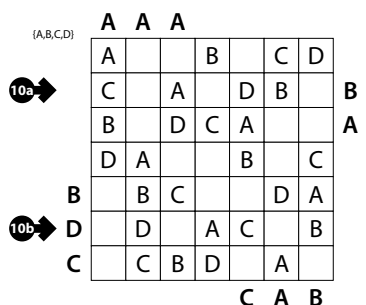
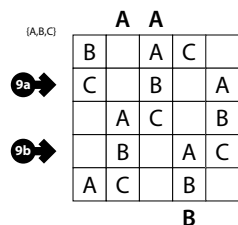
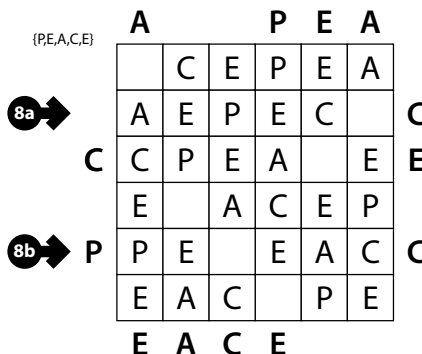


6. Heyawake [Sam Cappleman-Lynes] (41 points)



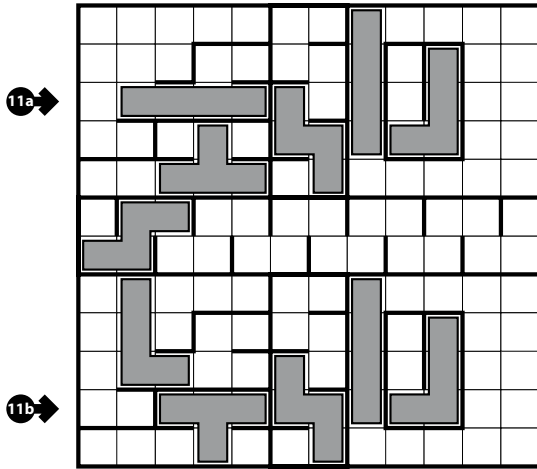
9-10. Easy As (No-Touch) [Tom Coward] (4, 48 points)

8. Easy As (Non-Adjacent Duplicates) [Tom Collyer] (12 points)

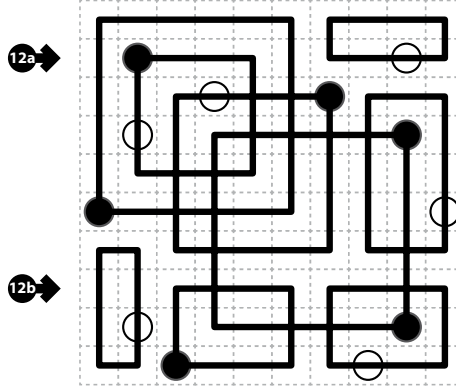




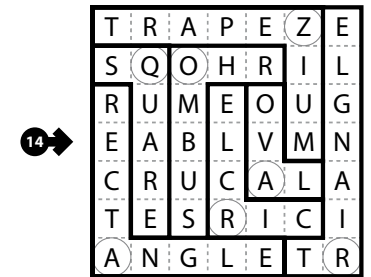
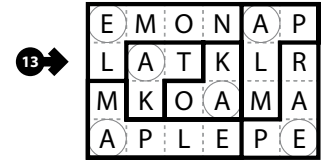
11. LITS (Borders) [Tom Coward] (31 points)



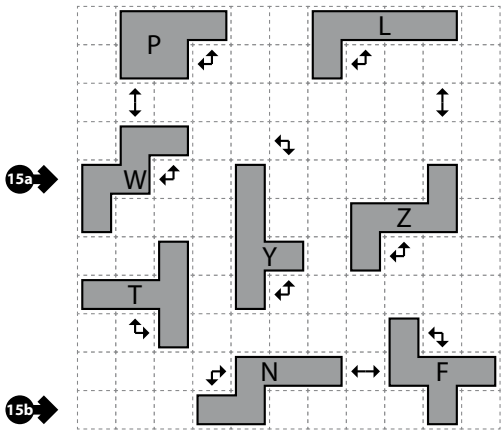
12. Ring-Ring (Masyu) [Tom Coward] (26 points)



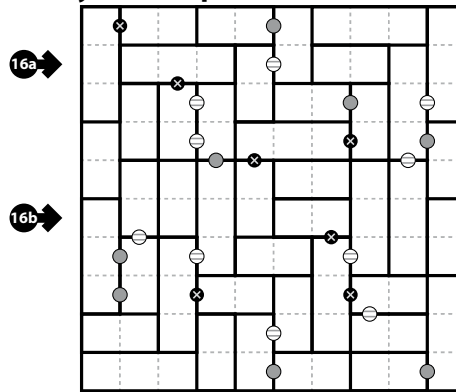
13-14. L-Words [Sam Cappleman-Lynes, David McNeill] (34, 55 points)



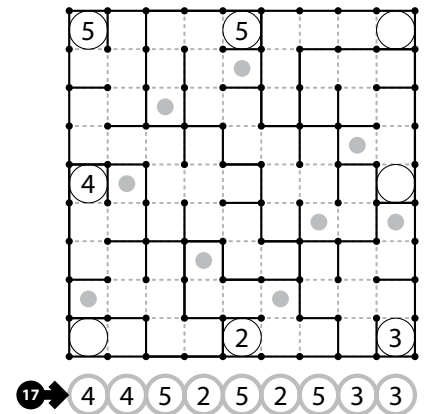
15. Pentopia [Sam Cappleman-Lynes] (34 points)



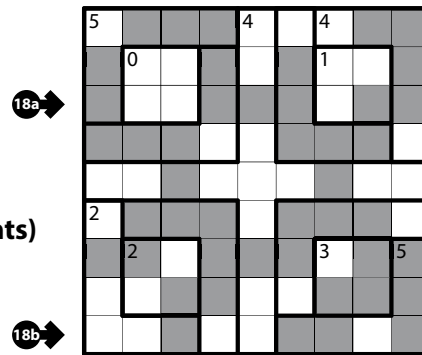
16. Voxas [Sam Cappleman-Lynes] (48 points)



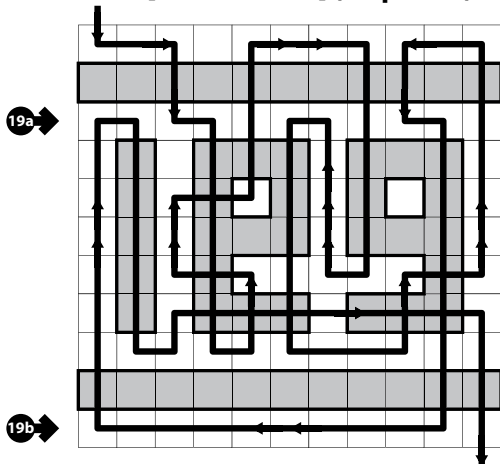
17. Arboretum [Tom Coward] (78 points)



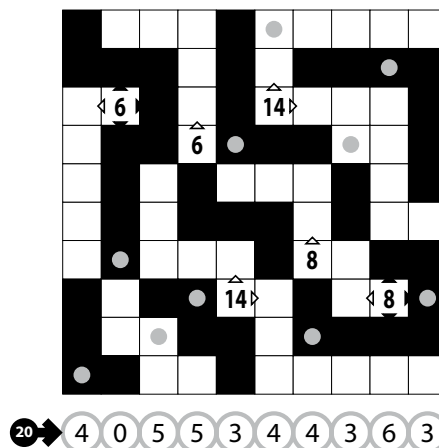
18. Aqre [Sam Cappleman-Lynes] (76 points)



19. Icebarn [Tom Coward] (62 points)



20. Eels [Sam Cappleman-Lynes] (60 points)



21. Rassi Silai [Sam Cappleman-Lynes] (35 points)

