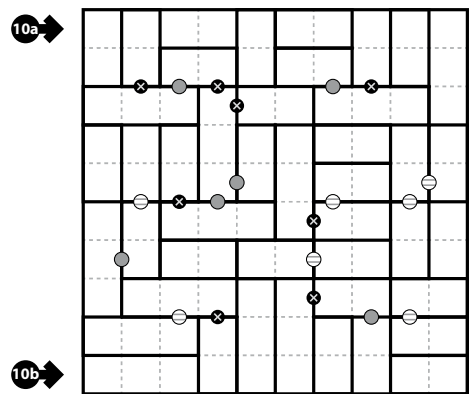
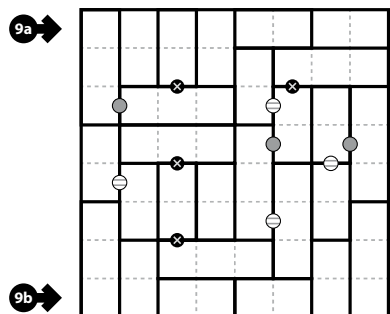


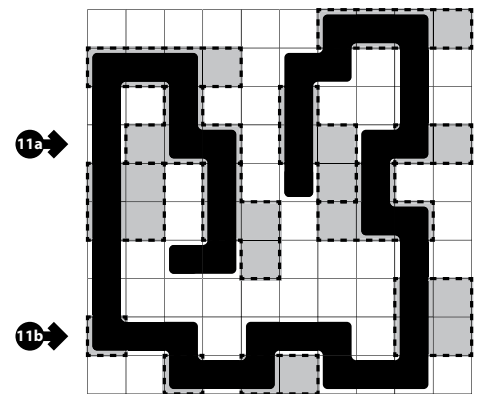
9-10. Voxas [Christoph Seeliger] (11, 27 points)



9b →

10b →

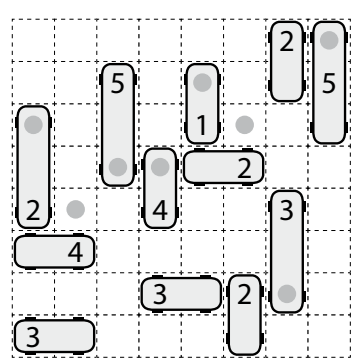
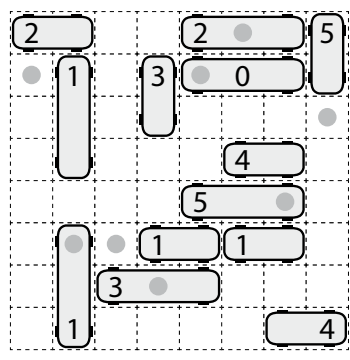
11-12. Snake (Memory) [Silke Berendes] (18, 18 points)



11a →

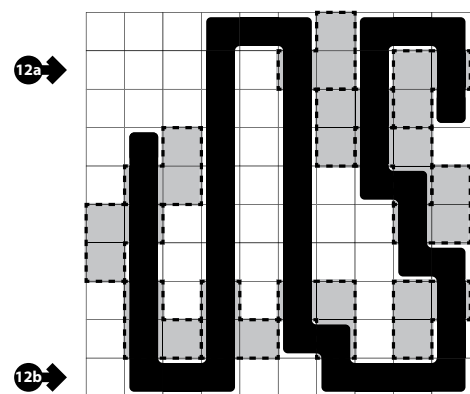
11b →

13-14. Parking Lot (Accessible) [Silke Berendes] (15, 37 points)



13 → X 1 X 3 0 2 5 X

14 → 2 X 5 4 1 X 3 5



12a →

12b →

15-16. Japanese Sums [Silke Berendes] (29, 29 points)

15a →

			3	8			15	1	
{1-9}	5	8	1	5	8	16	9	11	
	5	8	4	35	14	8	17	13	
5	5	5	3	2		5		4	1
7	8	9		6	1		3	5	9
4	26	4			8	1	6	9	2
9	6	1	8		2	4			
6	7	8			6		7		8
	40		1	4	7	6	9	8	5
12	17	4	5	7		9	8		4
3	13				3		8	5	

15a →

15b →

16a →

				1	5	9		4	
{1-9}	11	11	10	2	4	7	5	24	
	8	9	9	23	9	18	6	2	
6	6	6	6		1	5		2	4
4	5	6	1	3			5		6
10	11	12	4	6		2	9		5
6	7	8		2	4		7		8
5	20	3	5		6	9	4	1	3
3	8	8	3		8		6	2	
	37		8	9	6	7	4	1	2
1	2	3	1			2		3	

16a →

16b →

17-18. Letter Weights (Balance) [Christoph Seeliger] (36, 94 points)

17 →

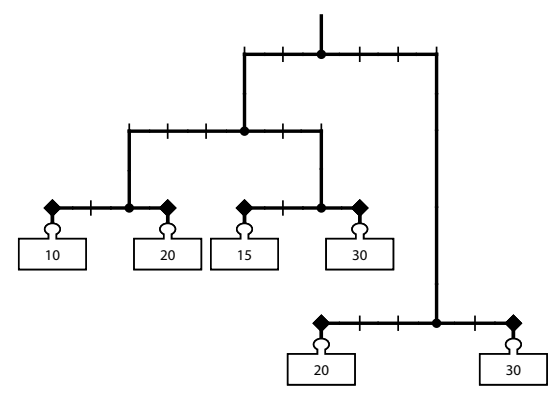
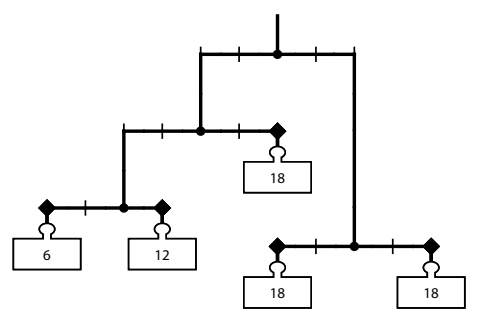
D	F	G	L	M	O	R	W
2	6	3	7	5	1	8	4

Numbers: 1 2 3 4 5 6 7 8

18 →

A	B	E	G	L	M	N	O	P	R
1	7	2	10	6	9	5	8	3	4

Numbers: 1 2 3 4 5 6 7 8 9 10



19-20. Blackout Dominoes [Silke Berendes] (54, 59 points)

19a →

2	2	2		4	4		
5			2	2	4		
5	6	6		4	1	1	
	6	6	6	4		5	
19a	1	6	6		4	4	5
			3	3	3		5
19b	3			2		5	5
	1	1	2			3	
	1	1				3	3

20a →

		3	3	3				
	1	3			5		1	
20a	1	1		5	5	6	6	6
	1	2	2		6	6	6	
	2	2	3	3			2	
20b	4			3			2	2
	4	4	4	4				
	6	4	4		5	5		
			1	1	5	5		

21-22. Island Nations [Christoph Seeliger] (56, 50 points)

21a →

21b →

22a →

22b →

WPF PUZZLE GP

ROUND 6



WPF
SUDOKU/PUZZLE
GRAND PRIX
2022

WPF
WORLD PUZZLE FEDERATION