



WPF PUZZLE GP 2023 SOLUTION BOOKLET

1. Arithmetic Square (24 points)

1a → $\begin{array}{r} \boxed{3} \times \boxed{8} \div \boxed{4} = 6 \\ + \quad + \quad \div \end{array}$

1b → $\begin{array}{r} \boxed{5} \times \boxed{7} - \boxed{6} = 29 \\ - \quad + \quad \times \end{array}$

1c → $\begin{array}{r} \boxed{2} - \boxed{1} + \boxed{9} = 10 \\ = \quad = \quad = \\ 6 \quad 16 \quad 6 \end{array}$

2. Coins (19 points)

	31	28	81	25
2a → 42	①	①	②0	②0
2b → 37	⑤	②0	⑩	②
12	⑤	⑤	①	①
74	②0	②	⑤0	②

3. CrissCross (45 points)

1	1	0	1	0	0
1	1	0	1	0	1
0	0	1	1	1	1
0	0	0	0	0	0
1	0	1	1	1	0
0	1	0	1	1	1

3 → 1 0 1 1 0 0

4. Battleships (17 points)

	1	2	3	4	5	6	7	8	9
		2		2	3				1
6									
1	3								
0									
6	3								
0									
5	3								
1	4								
0									
1	6								

5. Tapa (46 points)

3									
			1 4					1 4	
			1 3	1 3	1 3			3 3	
			2 4				1 4		
3				3					2

6. No Set in a Row (30 points)

6a →	○	△	△	□	△	□	□	○
	□	○	□	○	○	△	○	△
	○	△	△	□	△	□	□	○
	□	○	□	○	○	△	○	△
	○	△	△	□	△	□	□	○
	□	○	□	○	○	△	○	△
6b →	○	△	△	□	△	□	□	○
	□	○	□	○	○	△	○	△

7. Overlapping Squares (34 points)

{1,2,3,4,5,6,7}

			10				11		
7a →									
		10		13				12	
							18		
		6			13		16		7
7b →				8			10		

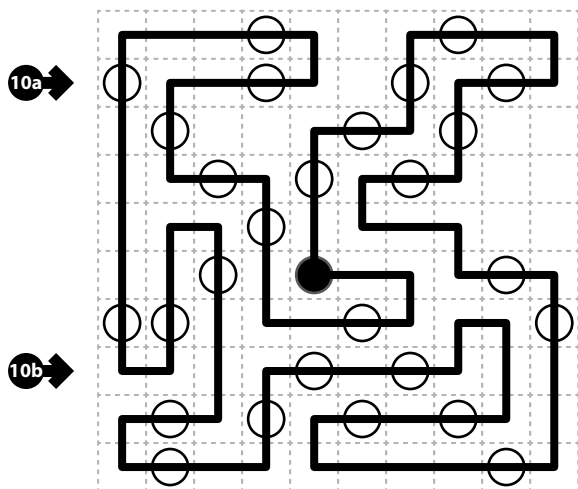
8. Spiral Galaxies (50 points)

9. Japanese Sums (48 points)

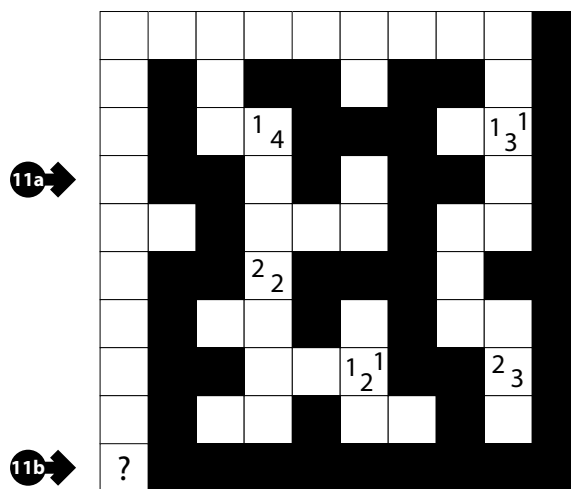
				8		1			
{1-6}	6	9	?		?	6	7		
		8	11	?	19	?	13	3	
9a →	?	?		6	3		1		
9b →	8	?		3	4	1		6	
	?	?	?	6		1	3	2	4
	?	?	4		4		5		1 3
	15	?		3	2	6	4		5
	6	6	6	1	5		6		4 2
	4	2	9	4		2		5	3 1



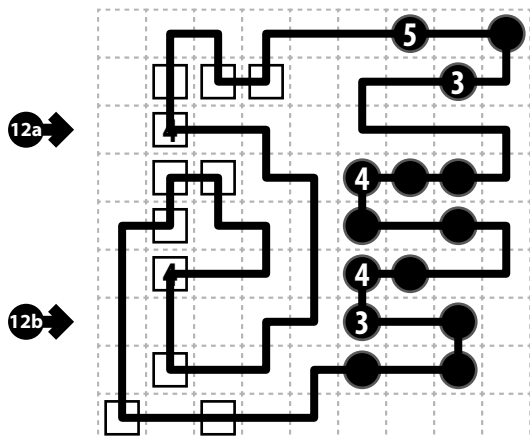
10. Masyu (42 points)



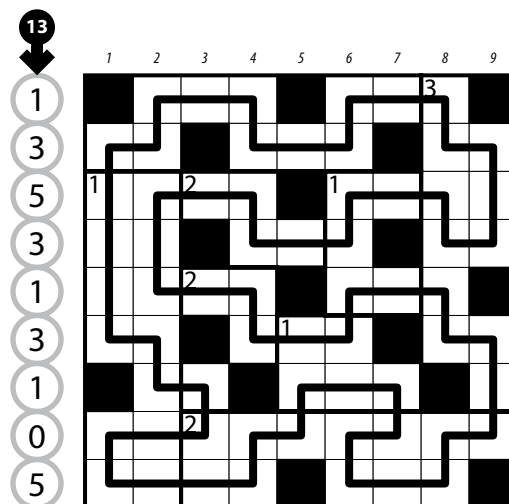
11. Tapa (Unknowns, Shape Division) (55 points)



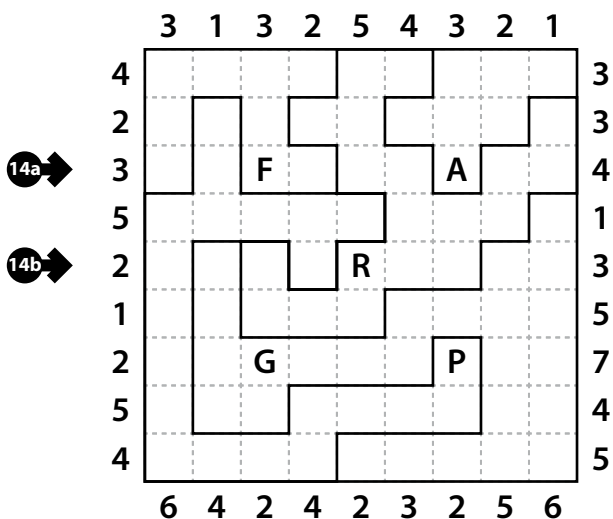
12. Balance Loop (54 points)



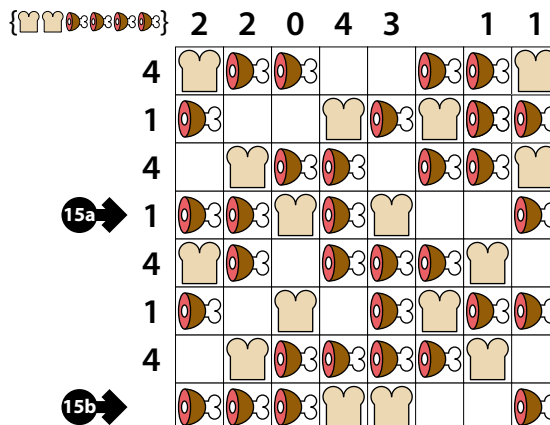
13. Yajilin (Regions) (41 points)



14. Countries (91 points)



15. Ham Sandwiches (83 points)



WPF PUZZLE GP

ROUND 1



WPF
SUDOKU/PUZZLE
GRAND PRIX
2023

WPF
WORLD PUZZLE FEDERATION